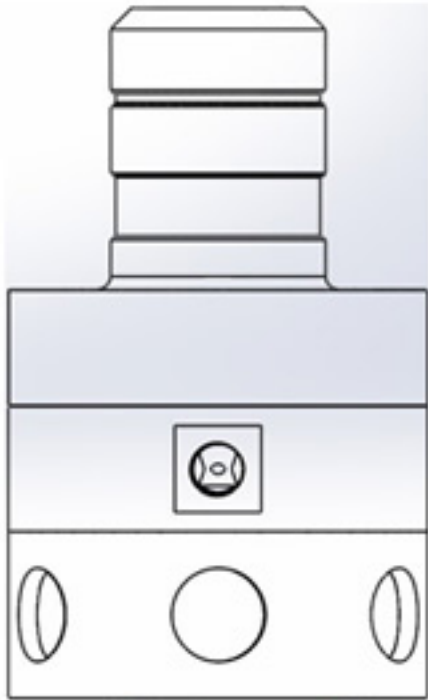
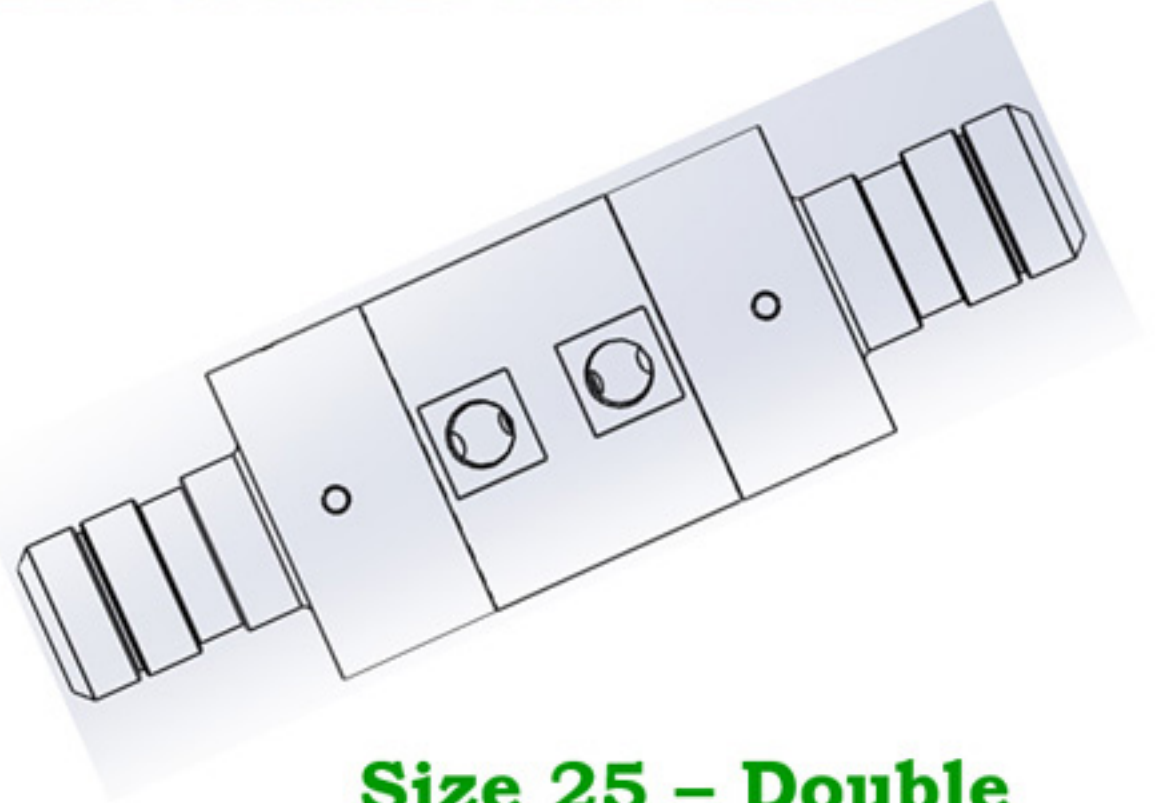


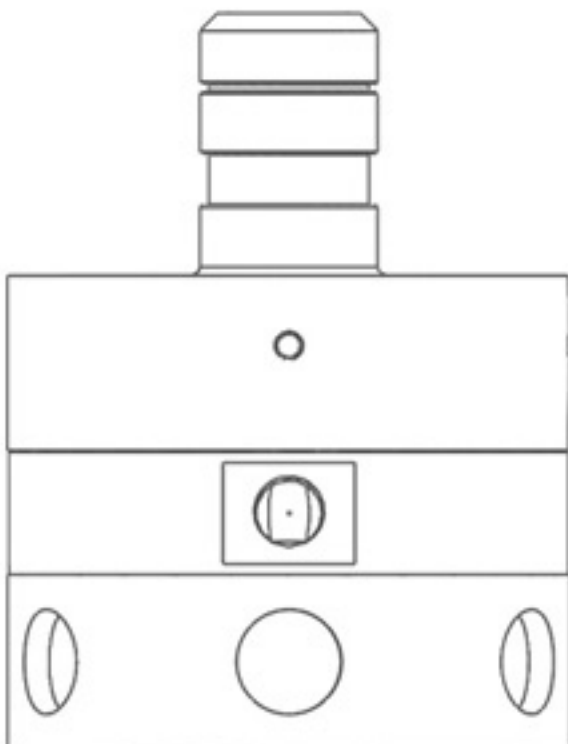
**PRODUCT RANGE UNITS: WATER-LIQUID OPERATORS
AERATORS-INFUSERS-AGITATORS-MIXERS**



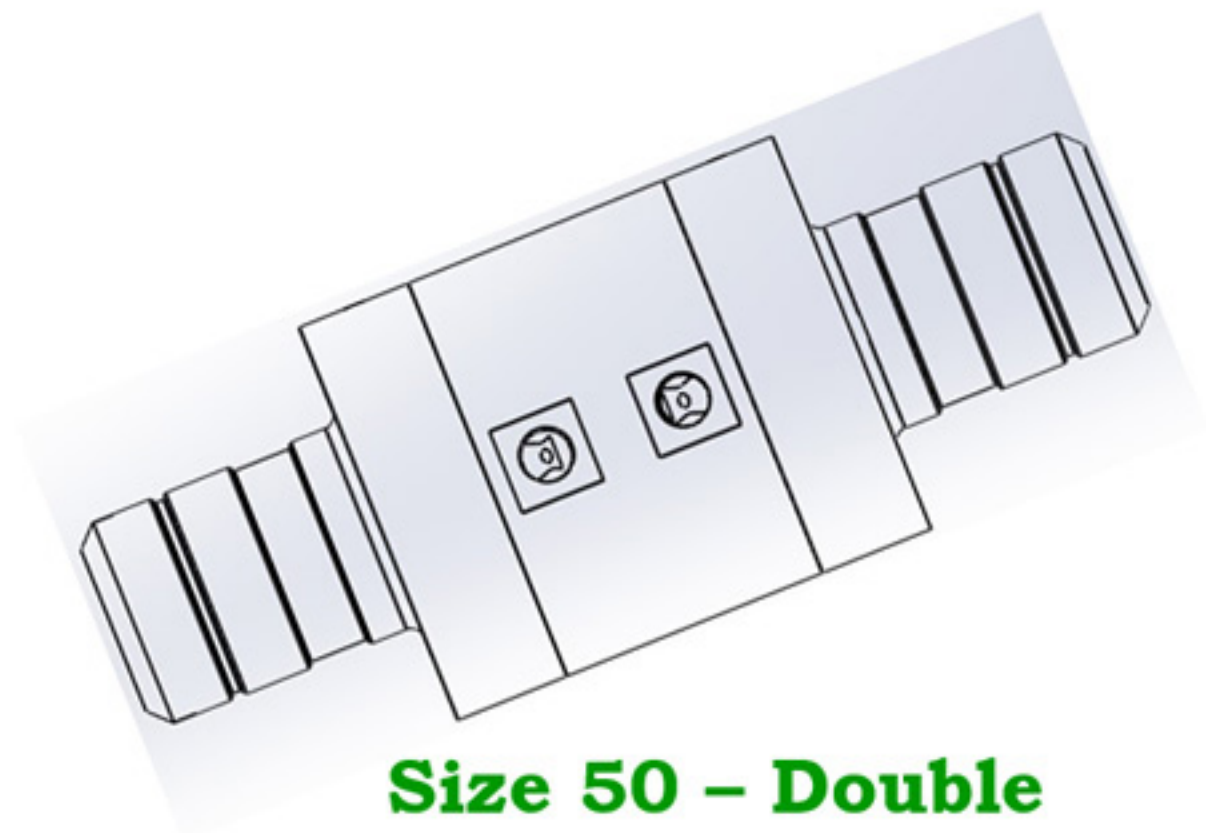
Size 25 - Single
100, 125 & 160 Base Options



Size 25 - Double
100, 125 & 160 Base Options



Size 50 - Single
80, 102, 125, 160 Spigot Options



Size 50 - Double
80, 102, 125, 160 Spigot Options